

**! WARNING** Read all warnings and installation instructions thoroughly.

**Safety & Warnings**

- Install in accordance with the National Electric Code, and local regulations.
- This product is intended to be installed and serviced by a qualified, licensed electrician.
- This product is suitable for indoor / dry locations only.
- This fixture must be grounded.
- Only connect to adjacent units, 400W maximum.
- Do not install this product in an environment outside the listed ambient temperature.
- Do not modify or disassemble this product beyond instructions or the warranty will be void.
- See the FENCER® SABER™ Compatibility List for a list of compatible dimming controls.

**Quick Specs**

<b>Input Voltage</b>	120VAC, 50/60Hz
<b>Power Consumption</b>	See product label
<b>Maximum Run</b>	400W max linear run
<b>Ambient Temperature</b>	-4° ~ 122°F (-20° ~ 50°C)
<b>Environment</b>	Indoor / dry location



**Included Models**

Item #	Description
DI-120V-SABER-PD30-8-**	8 in.
DI-120V-SABER-PD30-16-**	16 in.
DI-120V-SABER-PD30-24-**	24 in.
DI-120V-SABER-PD30-32-**	32 in.

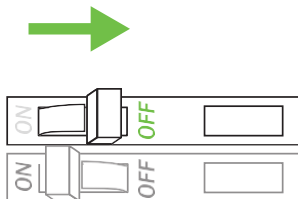
\*\* Indicates finish, -WH (White), -BZ (Dark Bronze)

**Installation**

Install in accordance with the NEC and local regulations.

**! WARNING** Shock Hazard. May result in serious injury or death. Turn off power at circuit breaker before installing this product.

**1** Turn OFF High Voltage AC Power at the main breaker.



**2** Determine location to install fixture(s).

**3** Access wiring compartment using options A) or B):

**A) Rear access door knockout (Fig. 1)**

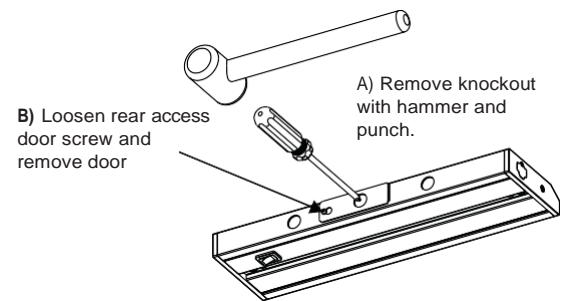


Fig. 1

**B) Alternative knockouts (Fig. 2)**

When utilizing alternative knockouts, the wiring compartment cover must be removed. Remove two screws on each end with a Phillips head screwdriver and pop off cover.

Ensure to properly ground the fixture once wiring is complete. A lock washer is connected to the ground wire (Yellow/Green), which must be placed beneath the cover screw once the compartment cover is reattached. For wiring connections see step 4.

IG092815-1.2

**3** Continued

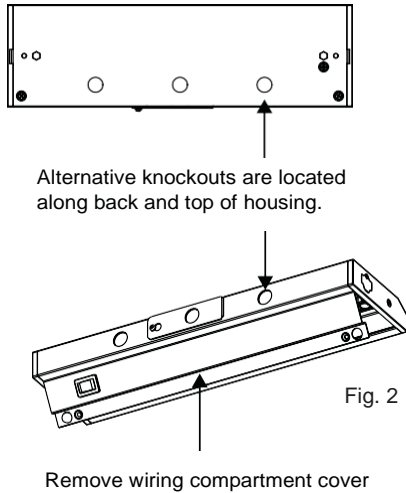


Fig. 2

**4 Attach wiring.**

Feed Romex (Non-Metallic), or BX cable through included Romex connector and attach connector to fixture (Fig. 3).

The push-in wire connectors should only be used with 12AWG wire. If using a thinner gauge wire, cut off the connectors and use a standard UL Listed Twisted Wire Connector. Wiring connections are:

- Line (HOT) → Black
- Neutral → White
- Ground → Green/Yellow

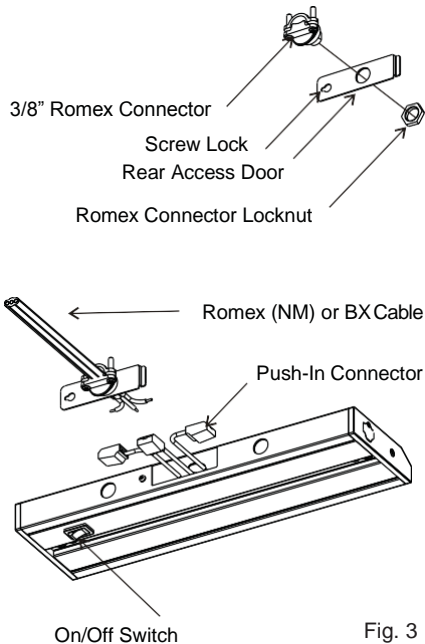
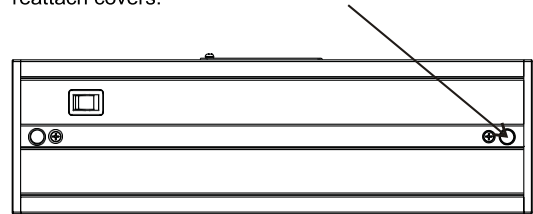


Fig. 3

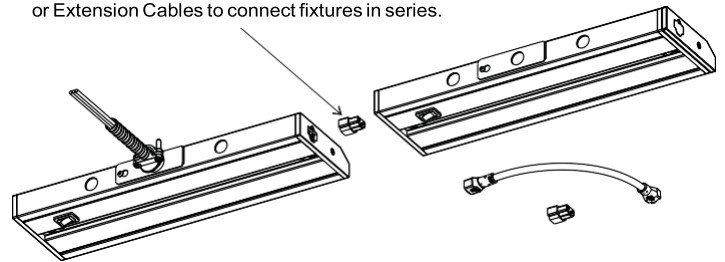
**5 Mount Fixture and attach additional accessories.**

Remove mounting hole covers and use Phillips head screwdriver to mount fixture to surface. Afterwards, reattach covers.

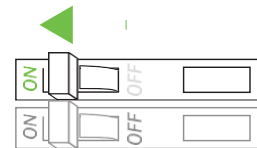


Ensure all terminal covers are attached to open ports once installation is complete.

Utilize FENCER Linkable End-to-End Connectors or Extension Cables to connect fixtures in series.



**7 Install Additional Components, Verify connections, and Turn Main Power ON at Breaker.**



**Additional Resources**

Visit the on-line product page at [www.DiodeLED.com](http://www.DiodeLED.com) for additional product specifications & warranty information.

- **FENCER® SABER™ PREMIUM DIFFUSION SPECIFICATION SHEET**  
For full specifications.
- **FENCER® COMPATIBILITY LIST**  
For a list of compatible dimming controls.

**QUESTIONS?** Visit [www.CustomProductWorks.com](http://www.CustomProductWorks.com) or contact Customer Support at [info@CustomProductWorks.com](mailto:info@CustomProductWorks.com) or 1.714.292.0070.

