



## OVERVIEW

**Switchex®** simplifies LED array lighting systems by combining an in-wall LED dimmer switch and power supply into a single integrated unit. The all-in-one unit mounts in a standard recessed electrical switch box which accepts 120V AC input and converts to low voltage DC output. **Switchex®** is compatible with most solid color 12V and 24VDC tape lights and fixtures.

## FEATURES & BENEFITS

- First all-in-one LED Driver + In-Wall Dimmer Switch.
- Simplifies LED installation by eliminating compatibility issues between driver and dimmer.
- Fits in a standard recessed electrical box.
- 100%- 1% smooth dimming.
- No minimum load.
- Single Pole preset dimmer with on/off push switch.
- Adjustable voltage output dial to address voltage drop.
- Includes voltage barrier partition to install high and low voltage circuit in the same switch box.
- No derating required when ganging units.
- Power failure memory: If power is interrupted, the unit will return to the setting prior to the interruption.
- Included faceplates: Glossy White, Glossy Light Almond, and Glossy Dark Brown (Trim plates not included).

## APPROVED LED FIXTURES

SWITCHEX is compatible with Diode LED solid color 12 Volt or 24 Volt tape light and fixtures, including but not limited to:

AVENUE 24™  
BLAZE™\*  
DOUBLE BLAZE™  
FLUID VIEW®\*

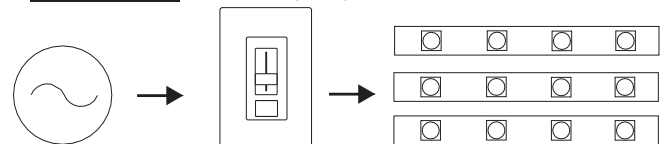
HYDROLUME™  
HYDROLUME PLUS™  
SIDEWINDER™  
ULTRA BLAZE™

VALENT™  
SPOTMOD® TILE\*\*  
SPOTMOD® LINK\*\*  
PURALIGHT® 2\*\*\*

\* Not compatible with Amber, Red, & Green tape lights

\*\* Includes SPOTMOD TILE & LINK Series (DI-SPOT-TL\*\* & DI-SPOT-LK\*\*)

\*\*\* Not compatible with Yellow, Red, & Green modules



120 VAC

Switchex

12 or 24 V DC Array/Fixture

Item #	
Project	

## COLORS & FINISHES



Glossy  
White



Glossy  
Light Almond



Glossy  
Dark Brown



Glossy  
Black

## SPECIFICATIONS

### Compliance & Regulatory Approvals

- cULus Listed (US & Canada) Low Voltage Lighting System #E469769.
- FCC Approved. Complies with the limits for a Class B digital device, pursuant to Part 15 of the FCC Rules.
- RoHS Certified.
- CE Certified.
- Conforms to NEC Code 725.136 (See Mechanical Diagram): Class 1 and Class 2 circuit in same enclosure must be separated by a barrier (partition) unless Class 2 circuit conductors are installed in accordance with 725.41 Class 1 Circuits.

### Input

- Input Voltage: 120VAC (108 ~ 132VAC), 50/60Hz (47 ~ 63Hz)
- Power Factor: >0.9 @ 120VAC 60Hz max load.
- Total Harmonic Distortion (THD): ≤20% @ 120VAC 60Hz max load. Tested to comply in accordance with IEC 61000-3-2.
- Stand-by Power: ≤0.5W.
- Efficiency: ≥91% @ 120VAC max load.
- Input Current: <1.0A @ 120VAC max load.
- In-Rush Current: Meets NEMA-410 requirement at any nominal input full sine wave voltage and maximum load at 25°C.

- Leakage Current: <500µA @ 120VAC.
- Surge/Transient: Tested to meet transients defined in IEC 6100-4-4, level 3 & IEC 6100-4-5, level 3.

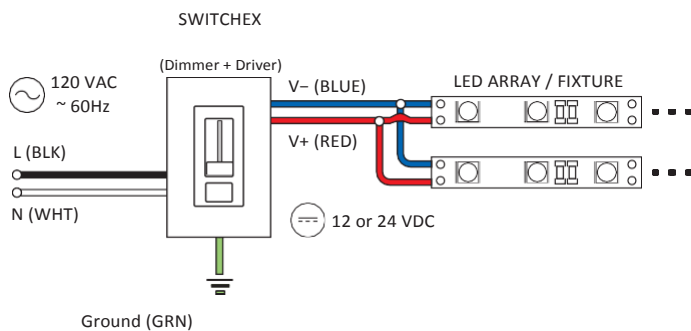
### Output

- Dimming: Output voltage is adjustable via a sliding lever
- Voltage Adjustment Dial: Increases output +1V to compensate for voltage drop from control to the luminaire.
- Startup Time: The main supply output voltages remain within the regulation limit of +/- 3%.
- Protections: Short circuit, thermal runaway, and over voltage.
- Output Ripple Current: ≤20% of the rated output current @ 120VAC max load.

### Environmental Requirements

- Indoor use only.
- Ambient Operating Temperature: 0°C to 40°C
- Humidity: 8 ~ 90% relative humidity, non-condensing.

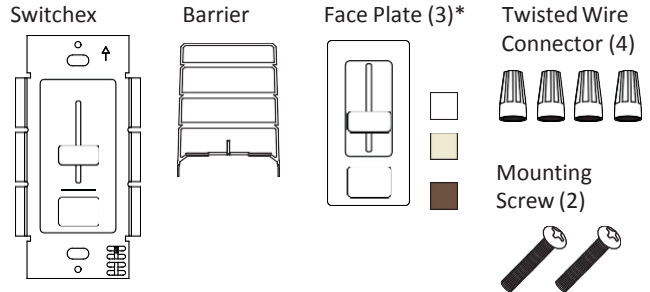
## SYSTEM DIAGRAM



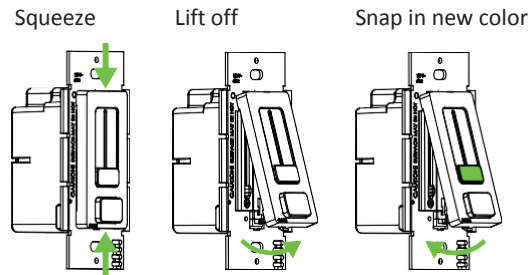
## DIMMER MODELS

Item # †	Input Voltage	Output Voltage	Max. Load
DI-12V-SE-40W	120VAC	12VDC	40W, 3.3A
DI-12V-SE-60W		12VDC	60W, 5A
DI-24V-SE-60W		24VDC	60W, 2.5A
DI-24V-SE-100W		24VDC	100W, 4.2A

† Each Item # includes following accessories:



\* Face Plates are interchangeable:



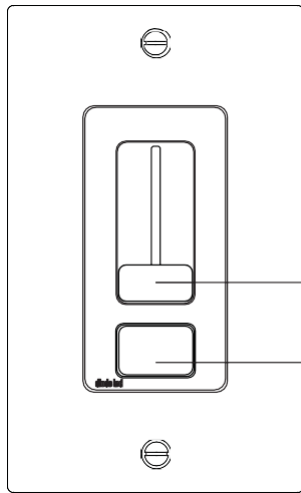
## TRIM PLATES (SOLD SEPARATELY)

Item #	Color / Finish
DI-SE-TP-WH	Glossy White
DI-SE-TP-LA	Glossy Light Almond
DI-SE-TP-BR	Glossy Dark Brown

## TRIM PLATE KITS (SOLD SEPARATELY)

Item #	Color / Finish
DI-SE-FP-BL	Glossy Black Includes Black Switchex Face Plate & Trim Plate.

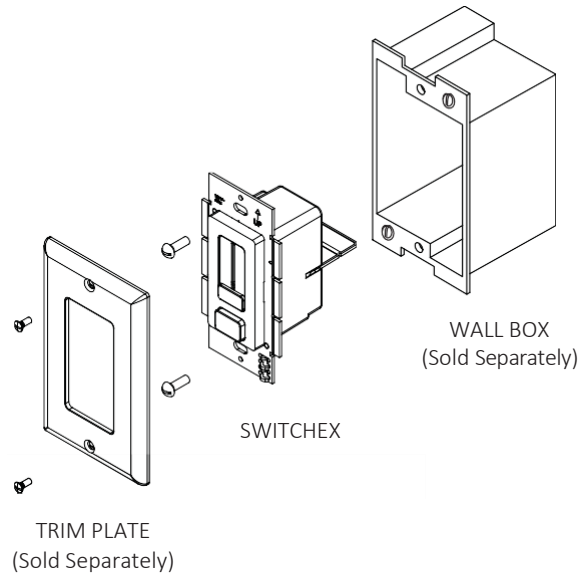
**OPERATION**



Slide to adjust brightness 100% - 5%.

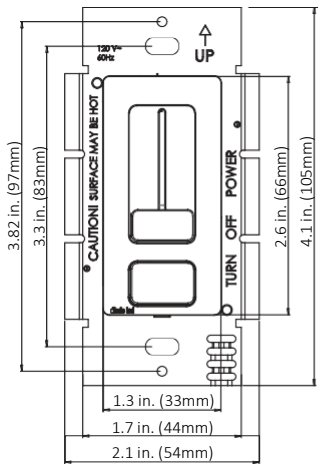
Push to turn ON/OFF.

**MOUNTING**

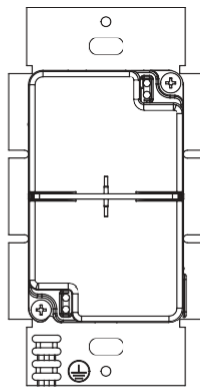


**MECHANICAL DIAGRAM**

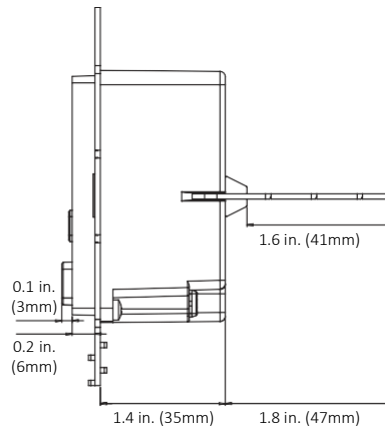
**SWITCHEX Front**



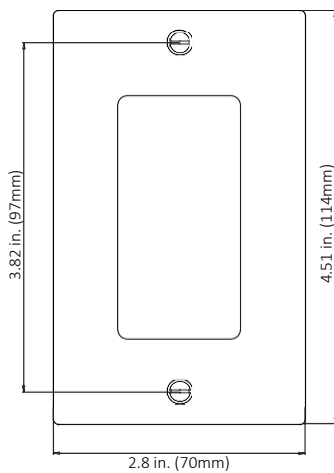
**Back**



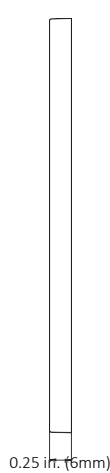
**Side with Voltage Barrier**



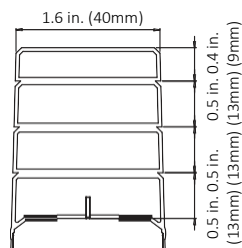
**Trim Plate Front**



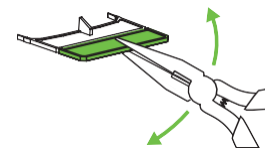
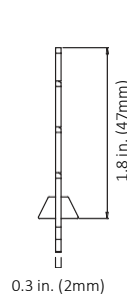
**Side**



**Barrier Top**



**Side**



For shallow boxes, the barrier can be shortened. Grip with pliers. Bend back and forth until fin breaks off.

## VOLTAGE DROP CHARTS

For best performance and lumen output, ensure proper wire gauge is installed to compensate for a voltage drop of low voltage circuits.

### Example: 12V Voltage Drop & Wire Length Distance Chart

Wire Gauge	10 W .83 A	20 W 1.7 A	30 W 2.5 A	40 W 3.3 A	50 W 2.1 A	60 W 4.2 A
18 AWG	34 ft.	17 ft.	11 ft.	8 ft.	6 ft.	5 ft.
16 AWG	54 ft.	27 ft.	18 ft.	13 ft.	10 ft.	9 ft.
14 AWG	86 ft.	43 ft.	29 ft.	21 ft.	17 ft.	14 ft.
12 AWG	134 ft.	68 ft.	45 ft.	34 ft.	27 ft.	22 ft.
10 AWG	199 ft.	99 ft.	66 ft.	49 ft.	39 ft.	33 ft.

- 1 Determine load size. Let's assume load is 55 W. Round up to nearest load.
- 2 Determine the distance from SWITCHEX to load. Let's assume the length is 20 ft.
- 3 It's recommended to install 12 AWG to eliminate excess voltage drop.

### 12V Voltage Drop & Wire Length Distance Chart

Wire Gauge	10 W .83 A	20 W 1.7 A	30 W 2.5 A	40 W 3.3 A	50 W 2.1 A	60 W 4.2 A
18 AWG	34 ft.	17 ft.	11 ft.	8 ft.	6 ft.	5 ft.
16 AWG	54 ft.	27 ft.	18 ft.	13 ft.	10 ft.	9 ft.
14 AWG	86 ft.	43 ft.	29 ft.	21 ft.	17 ft.	14 ft.
12 AWG	134 ft.	68 ft.	45 ft.	34 ft.	27 ft.	22 ft.
10 AWG	199 ft.	99 ft.	66 ft.	49 ft.	39 ft.	33 ft.

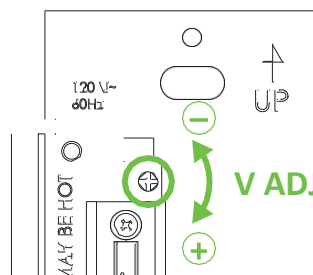
### 24V Voltage Drop & Wire Length Distance Chart

Wire Gauge	10 W .42 A	20 W .83 A	30 W 1.3 A	40 W 1.7 A	50 W 2.1 A	60 W 2.5 A	70 W 2.9 A	80 W 3.3 A	100 W 4.2 A
18 AWG	134 ft.	68 ft.	45 ft.	33 ft.	27 ft.	22 ft.	19 ft.	17 ft.	14 ft.
16 AWG	215 ft.	109 ft.	72 ft.	54 ft.	43 ft.	36 ft.	31 ft.	27 ft.	22 ft.
14 AWG	345 ft.	174 ft.	115 ft.	86 ft.	69 ft.	57 ft.	49 ft.	43 ft.	36 ft.
12 AWG	539 ft.	272 ft.	181 ft.	135 ft.	108 ft.	90 ft.	77 ft.	68 ft.	56 ft.
10 AWG	784 ft.	397 ft.	263 ft.	197 ft.	158 ft.	131 ft.	112 ft.	98 ft.	82 ft.

## VOLTAGE ADJUSTMENT

SWITCHEX can provide a 1V boost if the fixture is receiving noticeable light degradation.

- a. Pop off faceplate.
- b. Use a small screwdriver to adjust output voltage by turning adjustment dial clockwise.



## SAFETY / WARNINGS / DISCLOSURES

1. UNLIKE TRADITIONAL DIMMING CONTROLS, SWITCHEX REQUIRES UNIQUE WIRING STEPS. READ ALL WARNINGS AND INSTALLATION INSTRUCTIONS THOROUGHLY.
2. Install in accordance with national and local electrical code regulations.
3. This product is intended to be installed and serviced by a qualified, licensed electrician.
4. NEC Code 725.136: Class 1 and Class 2 circuits in same enclosure must be separated by a barrier unless Class 2 circuit conductors are installed in accordance with 725.41 Class 1 Circuits. For example, Non-Metallic (NM) cable is considered a Class 1 circuit conductor. Therefore, if both high voltage and low voltage circuits are installed with NM cable, then the voltage barrier is not required for installation.
5. Only install compatible 12 V or 24 V Constant Voltage DC fixtures or warranty will be void.
6. Suitable for indoor / dry installation.
7. To compensate for voltage drop, ensure appropriate gauge in-wall rated wire is installed between control and fixture.
8. Do not modify product beyond instructions or warranty will be void.

## WARRANTY

### Limited Warranty

This product has a five (5) year limited warranty from the date of shipment. This warranty does not include the additional accessories referenced in this specification sheet. Complete warranty details for fixtures and other accessories are available at [www.DiodeLED.com](http://www.DiodeLED.com) under the 'Tools & Resources' tab. For warranty related questions, please contact product support.

### Consumer's Acknowledgment

Diode LED stands behind its products when they are used correctly and according to our specifications. By purchasing our products, the purchaser agrees and acknowledges that lighting design, configuration, and installation is a complex process, wherein seemingly minor factors or changes in layout and in-field adjustments can have a significant impact on an entire system. Choosing the correct components is essential. Diode LED is able to work with the original purchaser to make an appropriate product selection to the extent of the limited information that the customer can provide, but it is virtually impossible for Diode LED to design a system that foresees every unknown factor. For this reason, this Warranty does not cover problems caused by improper design, configuration or installation issues. Any statement from a Diode LED employee or agent regarding a customer's bill of goods and/or purchase order is NOT an acknowledgment that the products purchased are designed and configured correctly. The purchaser agrees and acknowledges that it is the customer's responsibility to adhere strictly to all information contained in the Product Specification Sheets.

There is often more than one way to design, configure and layout an LED lighting application properly to achieve the same lighting effect. Diode LED strongly recommends that licensed professionals be used in the design and installation of lighting systems that include Diode LED products. The specifications include essential information that a designer and installer should carefully review and strictly follow. Qualified designers and certified and/or licensed installers, with access to the final installation environment, customer goals, and Diode LED product specifications can make the necessary decisions appropriate for a successful finished lighting application.



© 2017 Elemental LED, Inc. All rights reserved.  
Specifications are subject to change without notice.