

Specified Item #	
Project	
Location	



Indoor Model: DI-JBOX-IND



Outdoor Model: DI-JBOX-OUT



SPECIFICATIONS

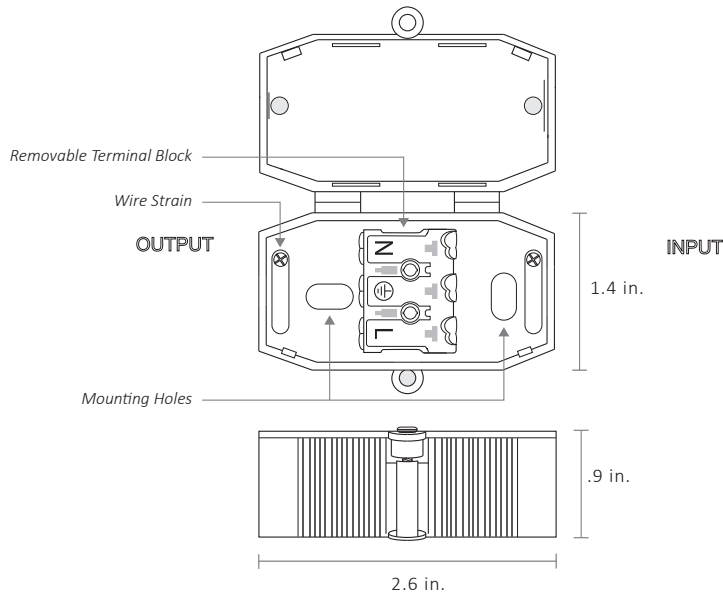
Model	DI-JBOX-IND
Max Voltage Rating	300V
Max Amperage Rating	10A
Connection Type	Quick release terminal block
Housing	Polypropylene
Mounting	Mount with applicable screws (mounting screws not included)
Dimensions	2.6 x 1.4 x 0.9 in. (L x W x H)
Ambient Temperature	-4° ~ 166°F (-20° ~ 74°C)
Environment	Suitable for dry / indoor locations
Warranty	2 year warranty
Certifications	cULus Recognized Component

Model	DI-JBOX-OUT
Max Voltage Rating	300V
Max Amperage Rating	10A
Connection Type	Quick release terminal block
Cable Range (Dia.)	Input: 0.20 ~ 0.30 in. (5.0mm ~ 7.5mm) Output: 0.16 ~ 0.25 in. (4.0mm ~ 6.4mm)
Housing	Polypropylene
Mounting	Mount with applicable screws (mounting screws not included)
Dimensions	4.8 x 1.8 x 1.1 in. (L x W x H)
Ambient Temperature	-4° ~ 166°F (-20° ~ 74°C)
Environment / IP Rating	Suitable for wet locations / IP65
Warranty	2 year warranty
Certifications	cULus Recognized Component

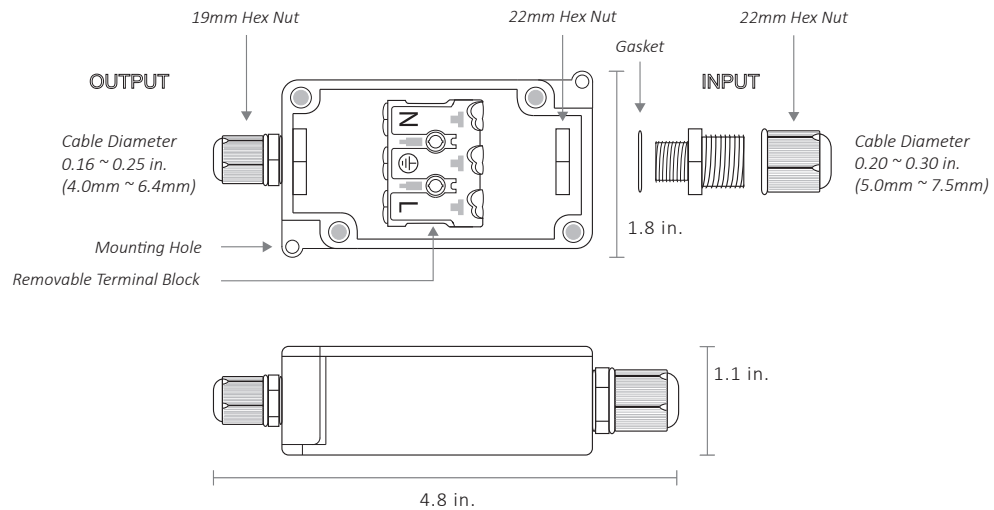
SS013015-1.1

MECHANICAL DIAGRAMS

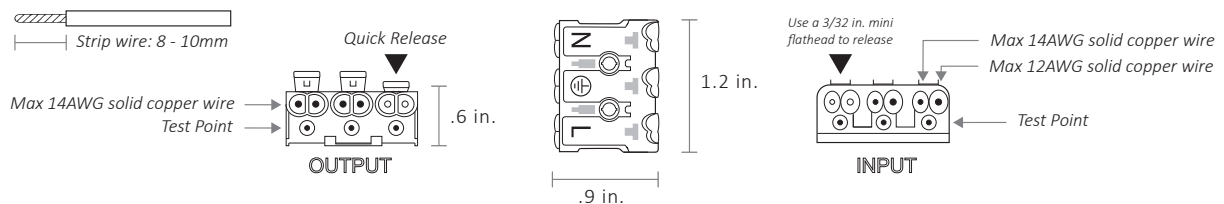
DI-JBOX-IND



DI-JBOX-OUT



Terminal Block



SS013015-1.1

ADDITIONAL RESOURCES

Visit the online product page at www.DiodeLED.com for additional resources including:

- **Voltage Drop Charts**
Use to specify appropriate wire gauge for installation. Available at the 'Tools & Resources' page at www.DiodeLED.com.

SAFETY / WARNINGS / DISCLOSURES

- Install in accordance with the National Electric Code, and local regulations.
- This product is intended to be installed and serviced by a qualified, licensed electrician.
- Ensure applicable wire is installed between driver, fixture, and any controls in between. When choosing wire, factor in voltage drop, amperage rating, and type (in-wall rated, wet location rated, etc.). Inadequate wire installation could overload wires, and cause a fire.
- Do not modify or disassemble this product beyond instructions or the warranty will be void.

WARRANTY

Limited Warranty

This product has a two (2) year limited warranty from the date of shipment. This warranty does not include the additional accessories referenced in this specification sheet. Complete warranty details for fixtures and additional accessories are available at www.DiodeLED.com under the 'Tools & Resources' tab. For warranty related questions, please contact customer service.

Consumer's Acknowledgment

Diode LED stands behind its products when they are used properly and according to our specifications. By purchasing our products, the purchaser agrees and acknowledges that lighting design, configuration and installation is a complex process, wherein seemingly minor factors or changes in layout and infield adjustments can have a significant impact on an entire system. Choosing the right components is essential. Diode LED is able to work with the original purchaser to make an appropriate product selection to the extent of the limited information that the customer can provide, but it is virtually impossible for Diode LED to design a system that foresees every unknown factor. For this reason, this Warranty does not cover problems caused by improper design, configuration or installation issues. Any statement from a Diode LED employee or agent regarding a customer's bill of goods and/or purchase order is NOT an acknowledgement that the products purchased are designed and configured correctly. The purchaser agrees and acknowledges that it is the customer's responsibility to adhere strictly to all information contained in the Product Specification Sheets.

There is often more than one way to design, configure and layout an LED lighting application properly to achieve the same lighting effect. Diode LED strongly recommends that licensed professionals be used in the design and installation of lighting systems that include Diode LED products. The specifications include important information that a designer and installer should carefully review and strictly follow. Qualified designers and certified and/or licensed installers, with access to the final installation environment, customer goals, and Diode LED product specifications can make the requisite decisions appropriate for a successful finished lighting application.