

SEMPRIA™ L.E.D.

Wireless Dimmer



- Only 2 components needed – receiver & dimmer
- Self powered LED dimmer – no wires or batteries
- Installs and programs in minutes
- Single pole or multiple location dimming
- 50-150 feet operating range

Dimmer Part Numbers
 WS-SR-Colordimmer
 WS-LED-CVDreceiver



WS-SR-Color

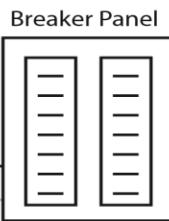
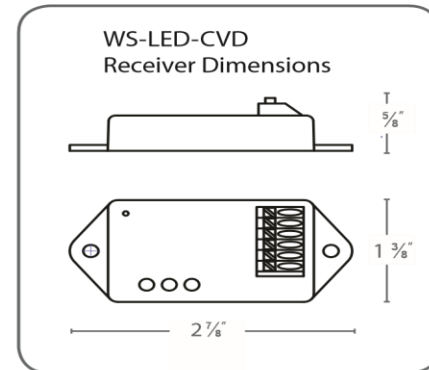
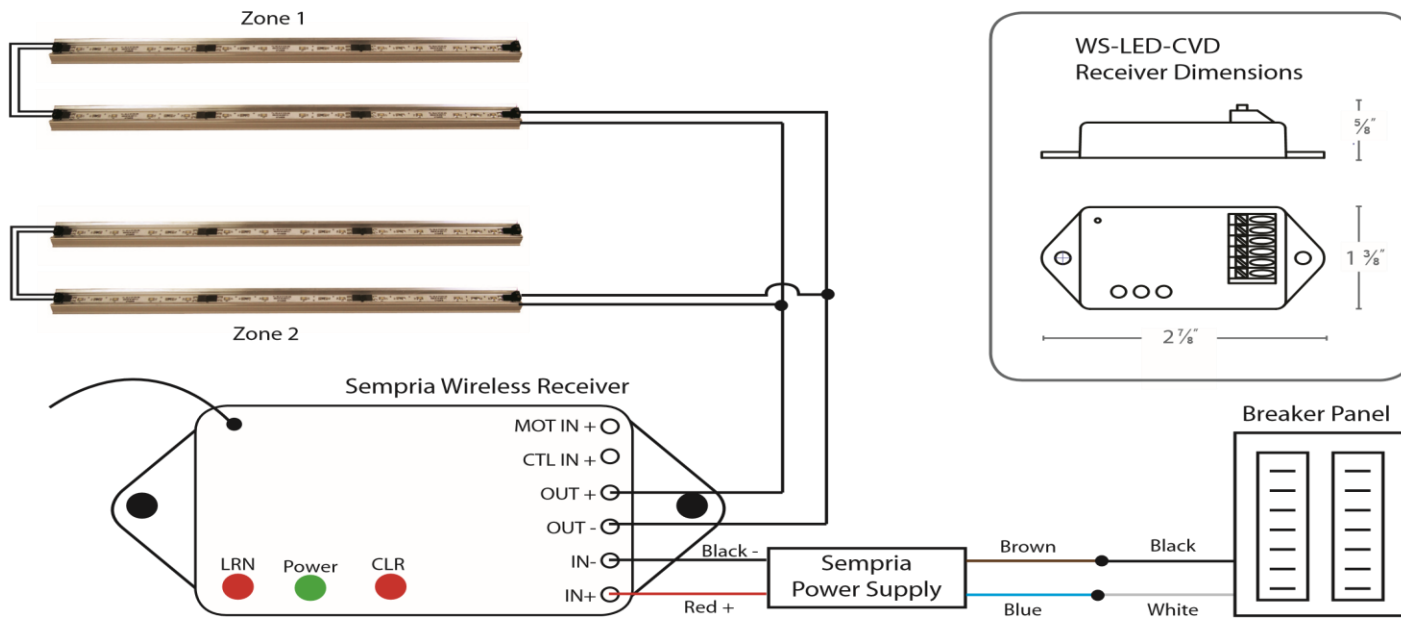


CVD (Receiver)



SEMPRIA™ L.E.D.

Wireless Dimmer Installation Instructions



NOTE: Receiver & Dimmer are shipped PRE-PROGRAMMED!
Follow instruction below only if you need to re-program the device.

Wireless Sempria LED Dimmer – Programming & Activation

1. Receiver and lights must be powered prior to programming.
2. During programming, switch must be within 15 feet of receiver. (Receivers have reduced range during programming.)
3. To enter programming mode, use tip of ballpoint pen or screwdriver to press and LRN button on receiver for one second. (Sempria LED light fixtures will begin to cycle on and off.)
4. While fixtures are cycling, press Wall Control rocker on.
5. Fixtures will continue to cycle for approximately 30 seconds. (When they stop cycling, system will automatically exit programming mode.)

(For optional multi-location dimming, repeat steps 3-5 for each additional Wall Control.)

Sempria Wireless Wall Control



WS-SR-Color

To Control Sempria LED Fixtures

- Double tap "on" for full-on
- Double tap "off" for full-off
- Single tap "on" to fade to last setting
- Single tap "off" to fade off
- Press and hold "on" for gradual fade-up
- Press and hold "off" for fade-down ws-SPEC